



RB09

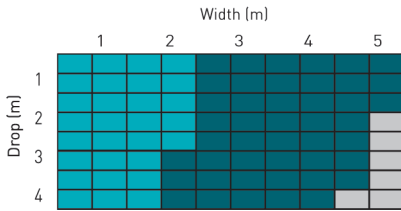
S45 CHAIN CONTROL

- The RB09 sets the benchmark for performance, function and aesthetics, with faster assembly time, easy installation and best in class operation.
- Up to 10mm Idler extension in 1mm increments allowing for precise adjustments at the point of installation.
- Patent protected technology.
- High polish finish.
- Reduced light gaps.
- New two piece snap-lock winder assembly for easy chain insertion.
- Advanced snap-lock booster fitment.



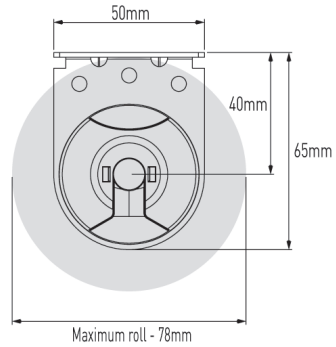
**ROLLEASE
ACMEDA**
PRECISION IN MOTION

CAPACITY

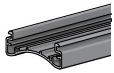


LEGEND	DESCRIPTION
	STANDARD SPRING ASSIST
	HD SPRING ASSIST
	N/A

DIMENSIONS



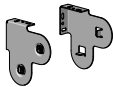
SYSTEM OPTIONS



Mounting Rail



Easy-Lift Spring Booster



Combo Bracket

COLOUR RANGE



White



Sandstone



Barley

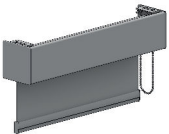


Silver Grey

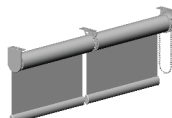


Black

UPGRADES



FRS 100 Valance or Pelmet 95



Easy-Link S45



CF90 Cassette / Fascia



Internal Wire Guide